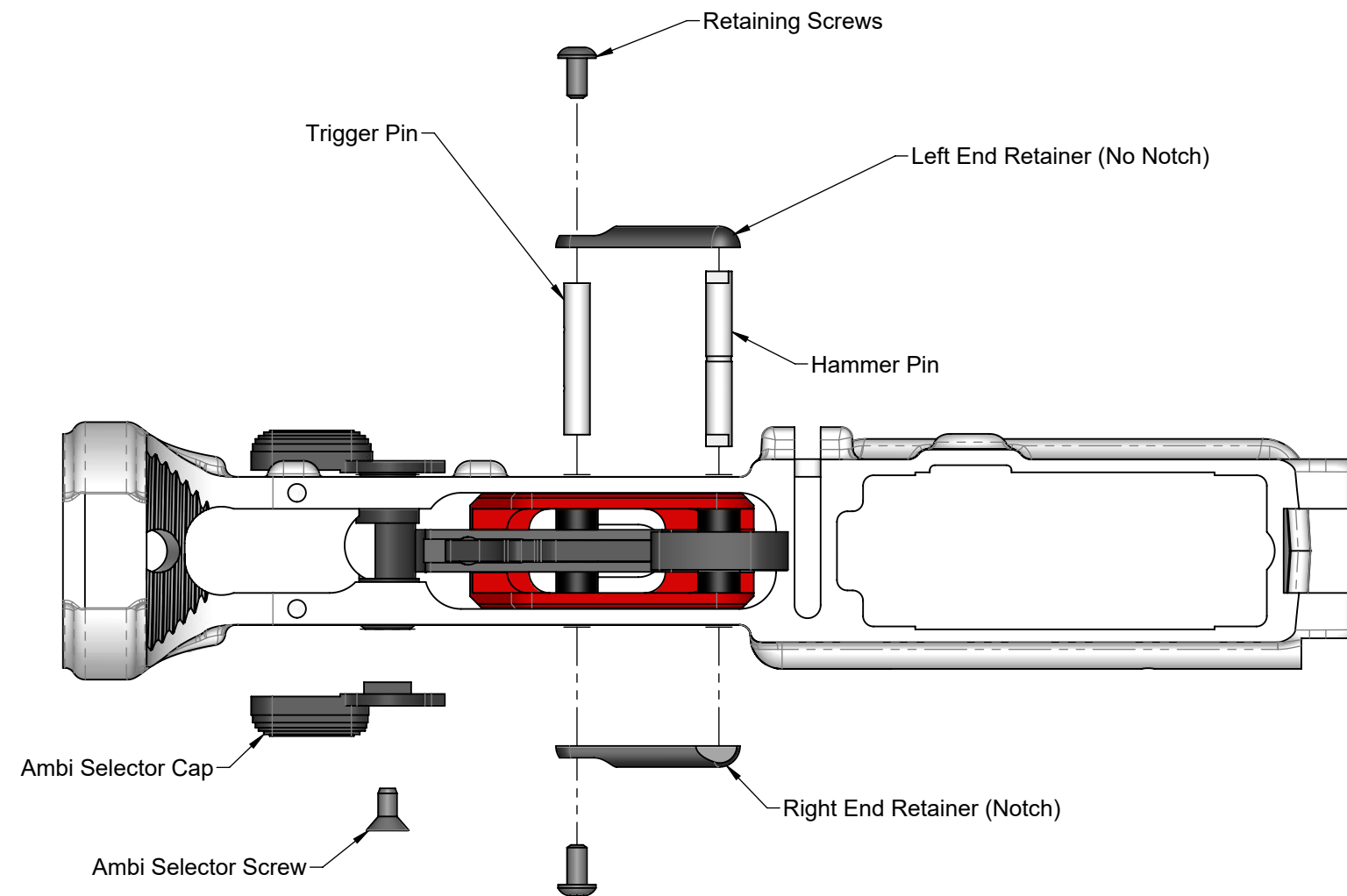




PATRIOT ORDNANCE FACTORY
POF-USA Drop In Trigger Removal

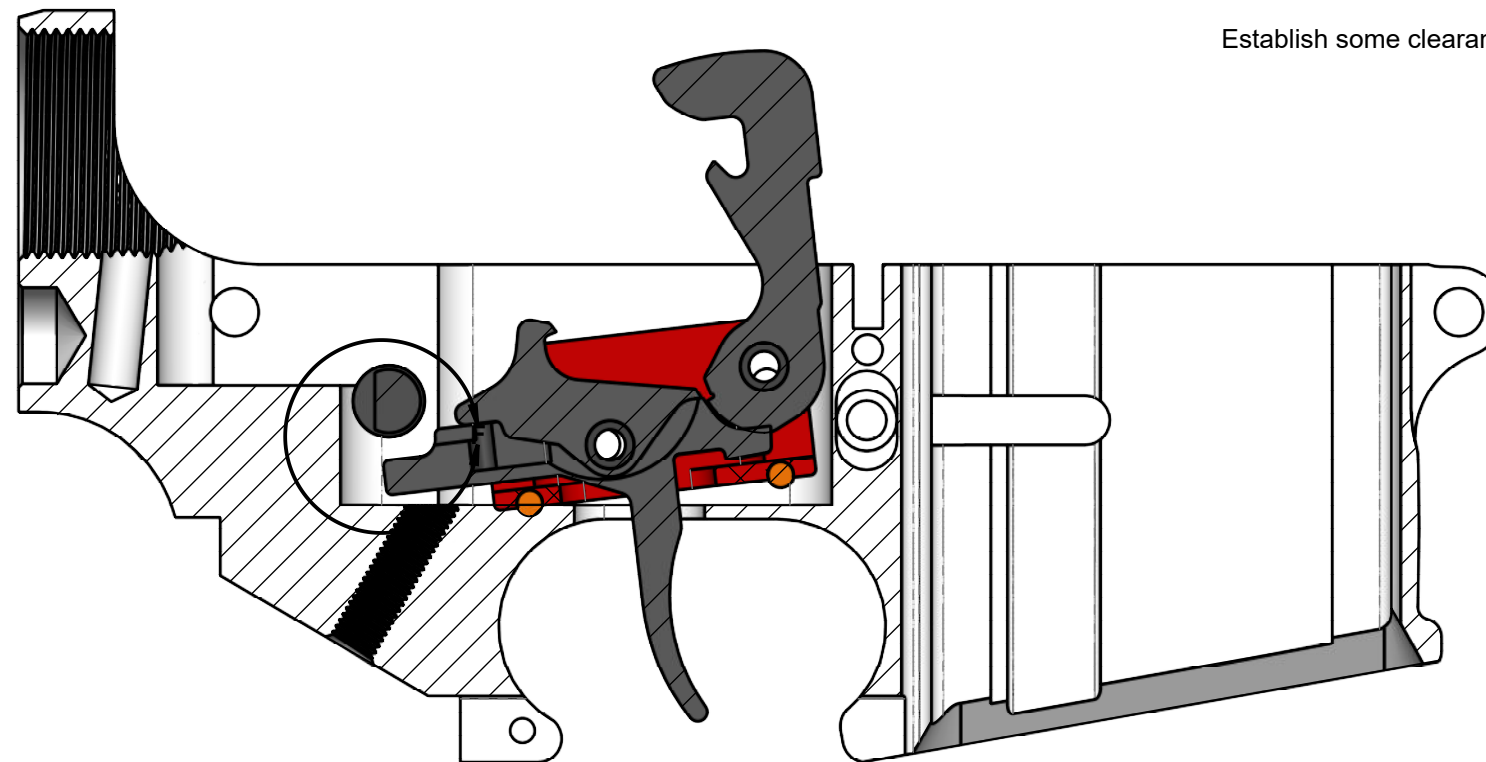


1a. Remove KNS Non-Rotating Pins by unscrewing retaining screws and removing end retainers. Then push out the hammer pin and trigger pin.

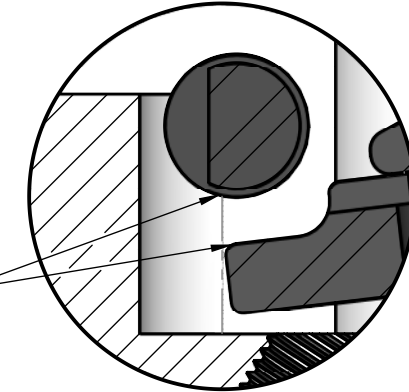
1b. If the Selector is an Ambi Selector, remove the Cap and Screw at this time as well.



PATRIOT ORDNANCE FACTORY
POF-USA Drop In Trigger Removal



Establish some clearance



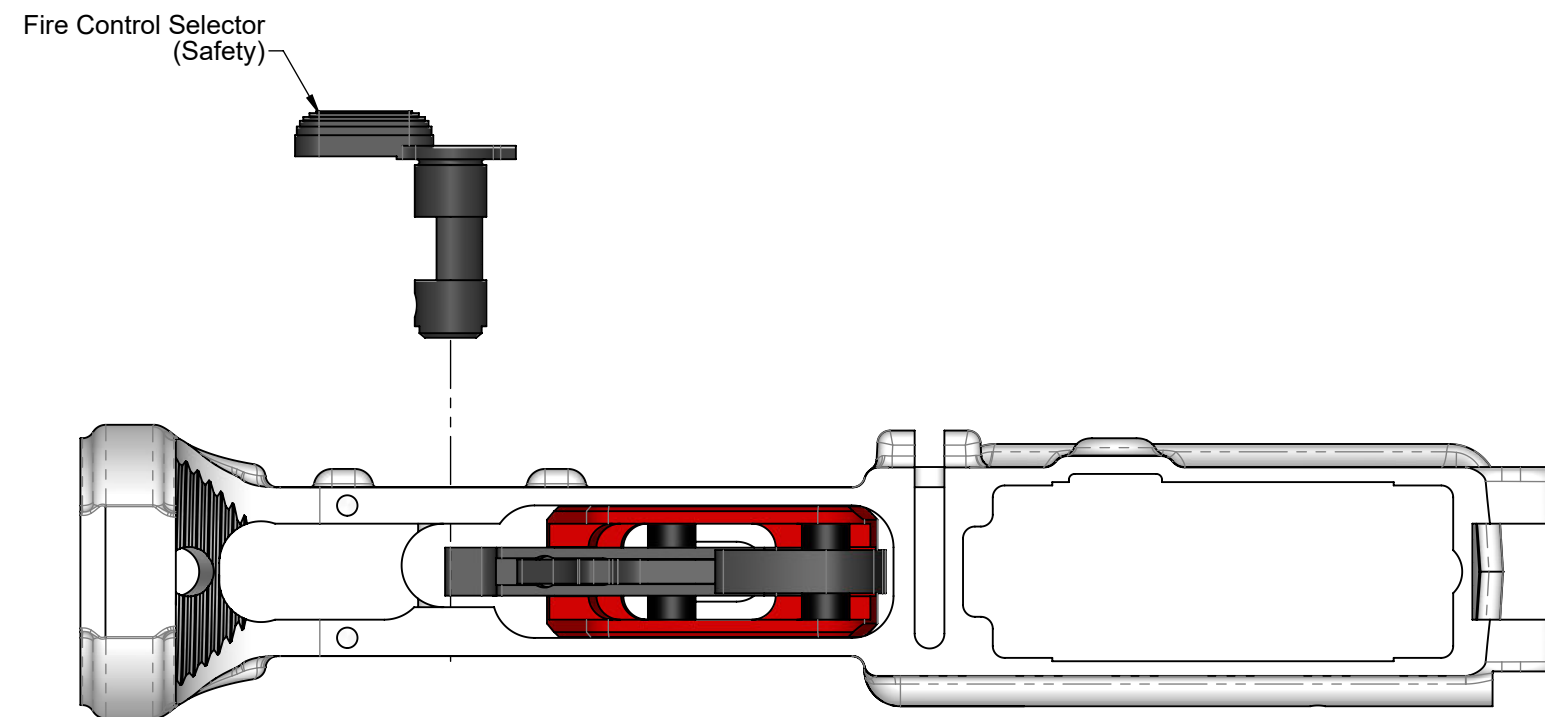
DETAIL F
SCALE 2X

2a. Remove the Pistol Grip. With it should come the Selector Spring, and Selector Detent. This will allow the Selector to be moved at a later step.

2b. Tilt the POF-USA Drop In Trigger Assembly backwards, or lift the front, so the back of the Trigger clears/drops below the Selector shaft diameter.



PATRIOT ORDNANCE FACTORY
POF-USA Drop In Trigger Removal

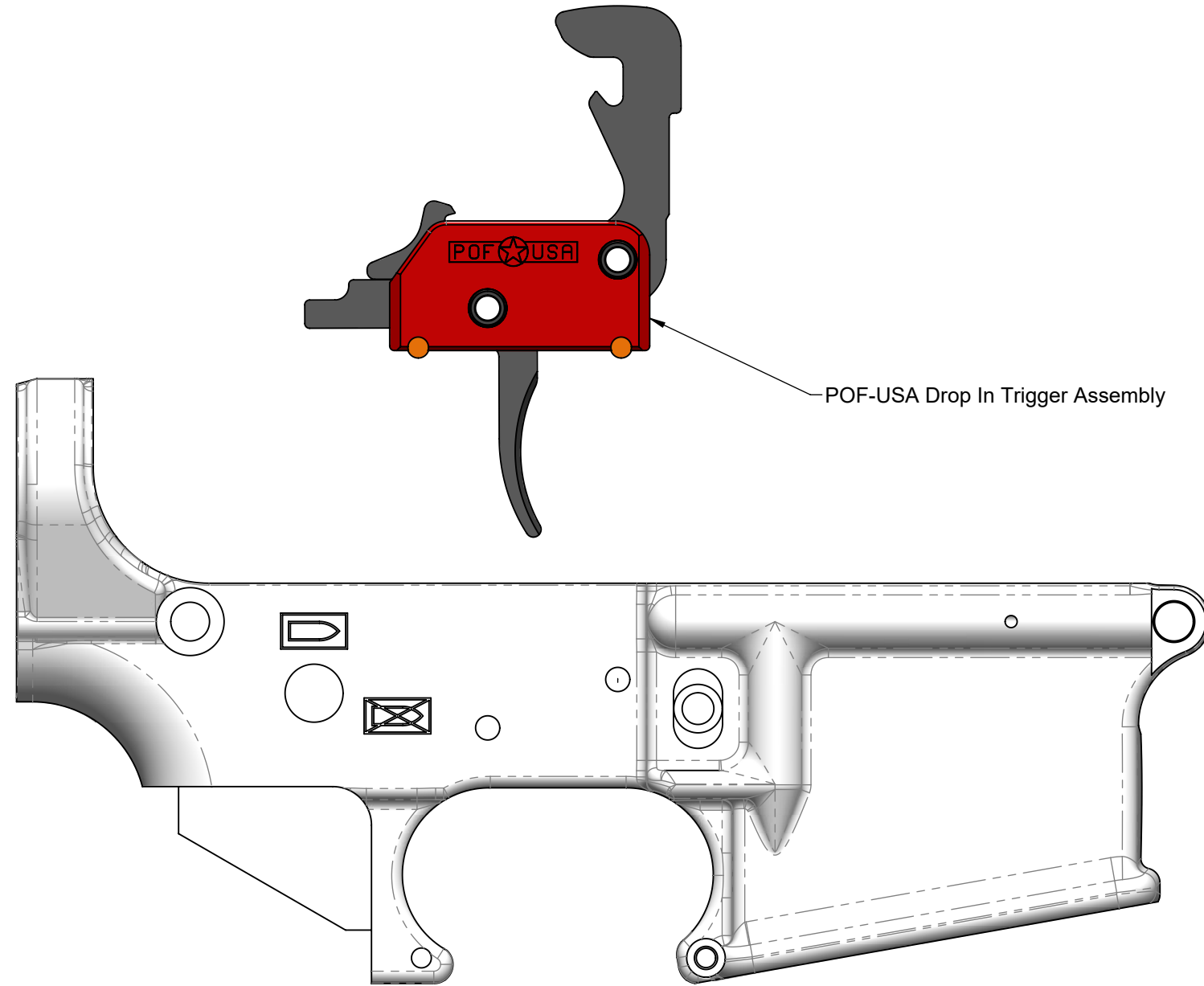


3. With the Trigger Assembly tilted back as instructed in step 2, remove the Fire Control Selector (Safety) from lower receiver.



PATRIOT ORDNANCE FACTORY

POF-USA Drop In Trigger Removal



4. Remove the POF-USA Drop In Trigger Assembly. Install in reverse order from disassembly.